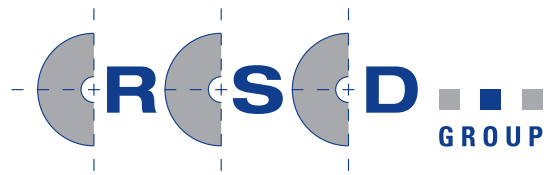
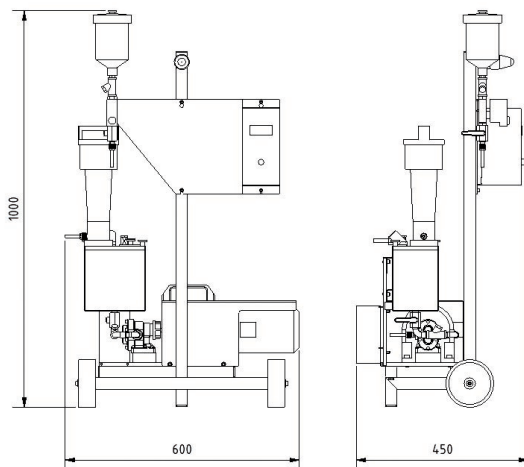


## Viscosity Control Device



Type of machine	CP-80-63-02
Control accuracy	+/- 0,1 seconds
Ink reservoir	1,0 – 2,0 L (.13 - .53 GAL)
Viscosity measuring cup	DIN 4mm
Power supply ink pump	400 V, 50/60 Hz, 3 Ph.
Power supply contol device	400 V, 50/60 Hz, 3 Ph.
Weight	approx. 35 kg (77 LBS)

Power supply outlet available on CP 1E & CP 4R printers  
allowing for direct connection of viscosity control device and ink pump unit.



Due to volatility of the solvents, a change in the viscosity of your printing ink is inevitable. Our viscosity control device monitors the ink and automatically dispenses solvent as required to maintain consistent ink viscosity levels. The result is a uniform print of the highest quality. We recommend this viscosity control device for all applications where solvents tend to evaporate quickly and for line speeds greater than 500 m/min. (1640 fpm)

First class corrosion-resistant materials facilitate the cleaning and help to ensure long running times.

### RSD TECHNIK GmbH

Walter-Wetzel-Straße 2 • 79588 Efringen-Kirchen - Germany • Phone +49 7628 802 0  
Fax +49 7628 802 80 Mail: [sales@rsdtechnik.de](mailto:sales@rsdtechnik.de) • Web: [www.rsdtechnik.com](http://www.rsdtechnik.com)

